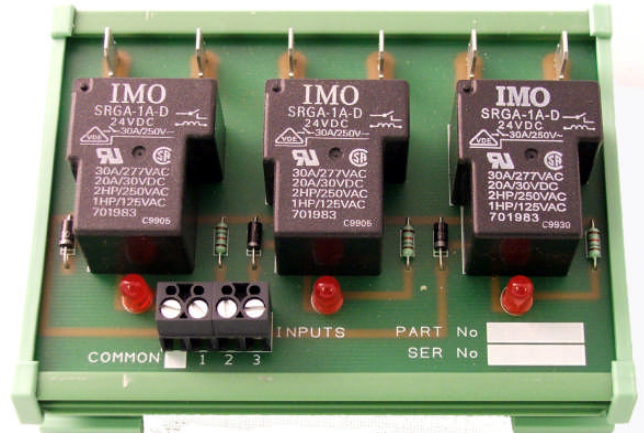


RLA533 RELAY ASSEMBLIES

Genset Controls - Timers - Monitors - Trips - Battery Charging - Spares & Accessories - Custom Products

- Din Rail mounting
- 20A / 30VDC Switching
- 2HP / 250VAC Switching
- Status LED's
- CE approved



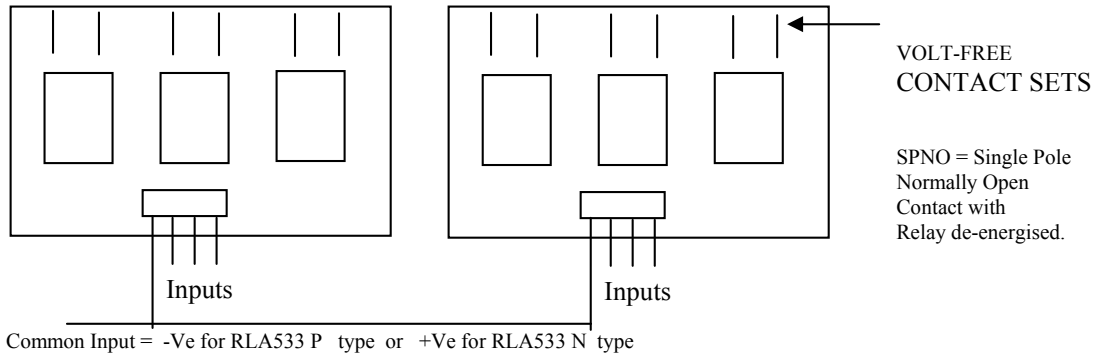
These general purpose ‘Relay Assemblies’, provide a cost effective solution for adding volt-free contacts to a wide variety of Engine Controllers, Alarm Annunciators and PLC systems.

Extra modules can easily be added simply by ‘daisy chaining’ the ‘common supply’ terminals.

For RLA53-N models (active-low, -Ve inputs) the common terminal is connected to a 12 or 24VDC positive supply. While for RLA53-P models (active-high, positive inputs) the common is connected to the –Ve supply.

ORDERING INFORMATION					
<u>Model</u>	DC Supply	Inputs	Relays	Contacts	
RLA533N / 12	12V	Negative	3	SPNO	
RLA533N / 24	24V	Negative	3	SPNO	
RLA533P / 12	12V	Positive	3	SPNO	
RLA533P / 24	24V	Positive	3	SPNO	

TYPICAL CONNECTIONS



SPECIFICATION

INDICATORS: A high-intensity Light Emitting Diode (LED) for each relay, indicating the energised state

CONTACT RATING: 20A / 30VDC (resistive) SPCO volt-free contacts. [De-rate to 14% for all inductive loads]
 30A / 277VAC (resistive) SPCO volt-free contacts. [De-rate to 14% for all inductive loads]
 2HP / 250VAC SPCO volt-free contacts.
 1HP / 125VAC SPCO volt-free contacts.

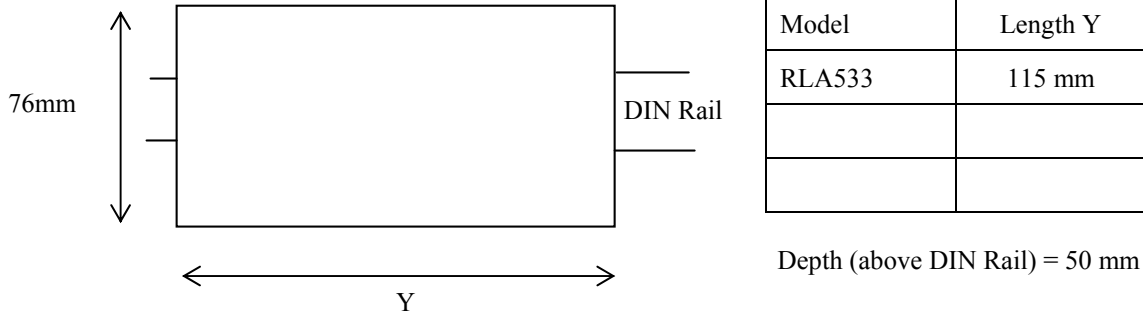
CONSTRUCTION: Glass Fibre Printed Circuit Board with solder mask and silk screen & varnished as standard.

TERMINATIONS: Input Terminals = Screw type
 Power Terminals = Industry standard 'Fast-On' 6.3mm Blade types

TEMPERATURE: - 15 to + 55 deg.C (operating)
 - 25 to + 75 deg.C (storage)

HUMIDITY: 90% Maximum (non - condensing)

Dimensions



Note: for specific information or a replacement unit, please quote the 'Serial Number' of the original part.



CAPRICORN CONTROLS LIMITED

INDUSTRIAL ELECTRONIC ENGINEERS
 SPECIALIST CONTROLS FOR ENGINE APPLICATIONS

Thorpe Close, Banbury, Oxon., OX16 4SW. England
 Tel: +44 (0) 1295 272360 Fax: +44 (0) 1295 264766

E-mail: sales@capricorn-controls.com Web: www.capricorn-controls.com

Keystart, Remote Start, Start-on-Demand, Mains Failure, Mutual Standby & Multi-set Controllers.
 Annunciators and Lamp Modules. Voltage, Current, Frequency, Speed, and Temperature Monitors. Timers.
 Transport Refrigeration Spares. Batteries, Battery Chargers and Power Supplies. Spares and Accessories.
 Customised Products and Bespoke Designs.